

PixLite® R2F-S

Long Range Receiver



DATASHEET

KEY FEATURES

- Receive Data up to 300m from Transmitter
- Up to 12 Universes of Clocked or Data-Only Pixels
- Power In and Fuse Good LED Indicators
- Electrical Fault Protection on all Ports
- Compact Form Factor

Made in Australia
5 Year Warranty



ADVATEK
LIGHTING

PixLite® R2F-S

Long Range Receiver

PRODUCT OVERVIEW

The PixLite R2F-S is a pixel LED controller that's built to last and has all the protection one needs for peace of mind with professional installations.

Paired with a PixLite T8 controller, the PixLite R2F-S receives differential (long distance) data and converts it into a pixel ready signal. Perfect for any professional installation, particularly when the LEDs will be separated by some distance.

A CLOSER LOOK AT THE RECEIVER

2 FULL PIXEL OUTPUTS

2 individually fused outputs suitable for clocked or data-only pixel LEDs (see next page for details).

FAULT PROTECTION

Features electrical fault protection on all inputs and all pixel output lines, resulting in higher reliability and less equipment failures over time. Each output also includes a 7.5A mini blade fuse which will help protect the pixels and power supply in a fault condition, as well as keeping the installation safe. See details on next page.

SMALL FORM FACTOR

Compact, lightweight, slimline unit designed for mounting in tight spaces

QUICK CONNECT POWER

High current quick connect clamp connector for fast and reliable power connection

CONTENTS

PixLite R2F-S

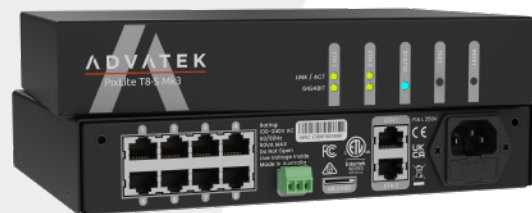
Installation Guide

CERTIFICATIONS



COMPATIBLE TRANSMITTERS

PixLite T8-S Mk3

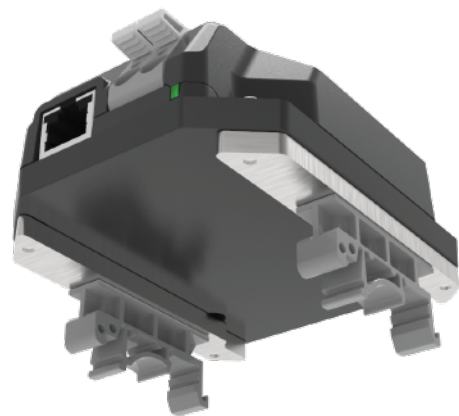


PixLite T16X-S Mk3



OPTIONAL ACCESSORIES

DIN Rail Mount Kit (Suits Single R2F-S, R4D-S, E4-S, E16-S)



PixLite® R2F-S

Long Range Receiver

SPECIFICATIONS

PHYSICAL

Pixel Outputs	2 x Powered
Data Input (From PixLite Transmitter)	1 x RJ45
Dimensions (excluding connectors)	95 x 78 x 33mm
Weight	0.2kg
Enclosure	High Strength ABS - Black
Mounting	Flat surface, DIN rail (optional accessory)

FAULT PROTECTION

Electrostatic Discharge (ESD)	All ports protected
Power Input	Reverse polarity protection
Data Input	+/- 24V DC fault protection
Pixel Output Clock/Data	+/- 24V DC fault protection
Pixel Output Power	Over Current and Short Circuit Protection

THERMAL

Storage Temperature	-20°C to +55°C
Ambient Operating Temperature	-20°C to +55°C

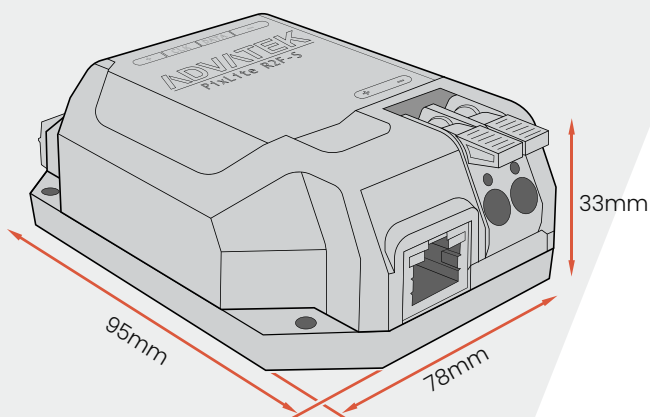
PIXEL DATA

EXPANDED MODE DISABLED

(Limits are set by the configuration of the transmitter)

Pixel Outputs	2
RGB Pixels per Output	1020
RGBW Pixels per Output	768
Universes per Pixel Output	6
Total Pixel Universes	12

OVERALL DIMENSIONS



POWER

Input Power	5V - 24V DC
Per Output Fuse Rating	7.5A
Maximum Current Per Output	6A
Total Current Limit	12A

CERTIFICATIONS & MARKS

North America	ETL Listing (Equivalent to UL Listing)
Europe	CE
North America	FCC
Canada	ICES3
Australia & New Zealand	RCM
United Kingdom	UKCA

TESTING STANDARDS

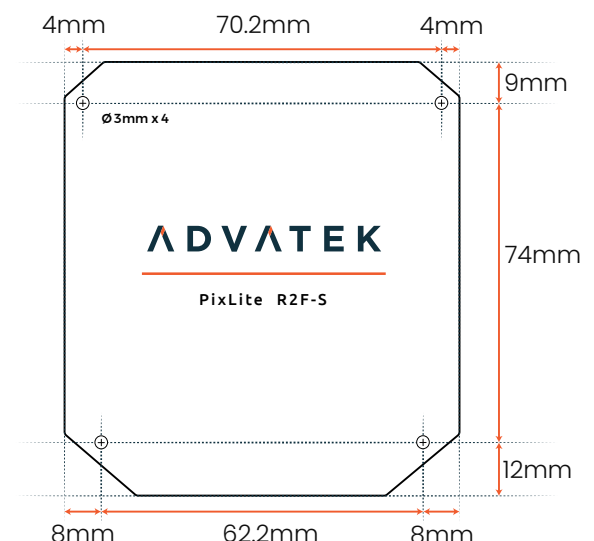
Audio/Video & ICTE - Safety Requirements	UL 62368-1
Radiated & Conducted Emissions	EN 55032 & FCC Part 15
Immunity for ITE	EN 55024
Restriction of Hazardous Substances	RoHS 3 + DD 2011/65/EU + 2017/2102/EU + 2015/863/EU

INSTALLATION

Refer to installation instructions in the Product User Manual for acceptable use and storage requirements.

Standard	Indoors Only
With Conformal Coating	May be installed outdoors when installed inside a weatherproof enclosure

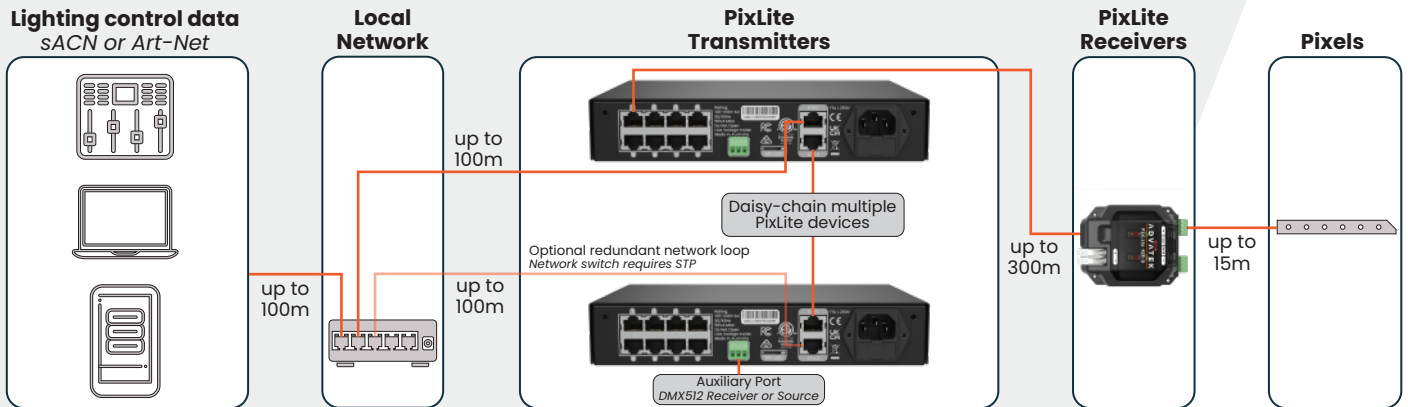
MOUNTING DIMENSIONS



PixLite® R2F-S

Long Range Receiver

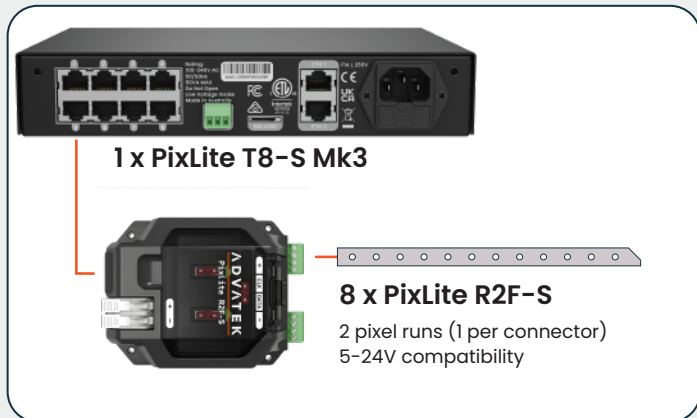
TYPICAL WIRING DIAGRAM



COMPATIBLE LONG RANGE SYSTEMS

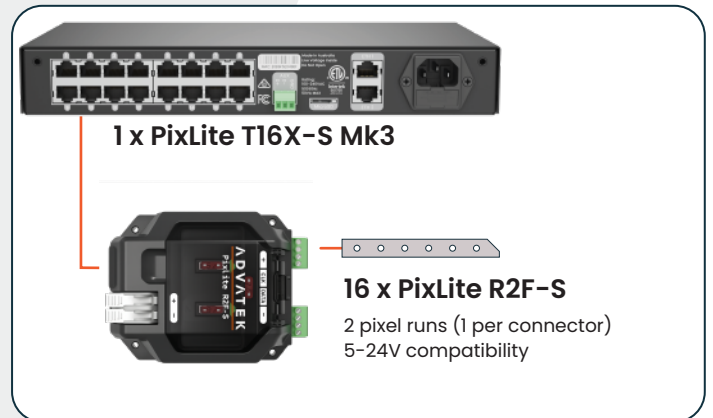
Expanded Mode Disabled

Any pixel type
1020 RGB / 768 RGBW pixels per run



Expanded Mode Enabled

Data-only pixel types
510 RGB / 384 RGBW pixels per run



POWERING PIXELS

DC Power Supply
5 - 24V

PixLite R2F-S

Pixels



ORDER CODES

PixLite R2F-S PIXR2FS
 PixLite R2F-S with Conformal Coating PIXR2FS-CC
 DIN Rail Mount Kit (Suits Single R2F-S, R4D-S, E4-S, E16-S) MNT0101

CONNECTIONS TO PIXELS

Connected to T8

Normal Usage	Expanded Mode	Differential DMX512	Select Pixels ²
+	+	+	+
Clock ¹	Data 1	DMX D-	Backup
Data	Data 2	DMX D+	Data
-	-	-	-

Connected to T16X

Expanded Mode
+
Not Used
Data
-

¹ For pixels that do not have a clock input, this pin is not connected.

² Many pixels with a backup data input do not require it to be connected to the PixLite as shown. See pixel glossary on the Advatek website to confirm pixels which require a backup connection to the PixLite.