

ProPlex® IP

IP-RATED PORTABLE
DATA DISTRIBUTION

NEW!



The new ProPlex IP range is a game-changer in portable data distribution, designed for demanding outdoor environments, including live productions, movie sets, and temporary installations of all kinds. Built around state-of-the-art ProPlex electronics, these devices ensure long-term performance in even the worst rainy or dusty conditions.

Cutting-edge technology in extra durable IP-rated enclosures, to address the unique needs of outdoor and temporary installations. Delivering performance, reliability and protection wherever it's needed most.

Key Features:

- Powerful, proven, feature-rich ProPlex electronics
- IP65 + IP67 ingress protection rating
- Secure and uninterrupted data transmission even in rainy or dusty locations
- Intuitive touch control, user-friendly interfaces
- Highly durable die-cast body with impact-resistant finish
- Optional backplates - various mounting options
- Mains power: 100-240V 50/60Hz

Worldwide Exclusive Distribution

Los Angeles
+1 818.899.8818

London
+44 (0)20.8574.9700

New York
+1 201.896.8600

tmb
www.ProPlex.com

Toronto
+1 519.538.0888

Beijing
+86 10.8492.1587

Riga
+371 6389 8886

ProPlex[®] IP

OPTO IP ISOLATED OPTO SPLITTER

- Fixes “bad” DMX
- 1 x Input, 1 x Thru, 4 x Isolated Outputs
- LCD screen with armored glass and capacitive control buttons
- Optional CRMX TX/RX wireless functionality
- IP67



Technical Specifications

Model	Opto IP	
Part Number	PPDDS145RIP67	PPDDS145RCIP67
DMX/RDM Input Ports	1X XLR5 MALE IP67	1X XLR5 MALE IP67
DMX/RDM Thru Ports	1X XLR5 FEMALE IP67	1X XLR5 FEMALE IP67
DMX/RDM Output Ports (isolated)	4 X XLR5 FEMALE IP67	4 X XLR5 FEMALE IP67
DMX/RDM Port Isolation	UP TO 2500V	UP TO 2500V
Wireless DMX	-	CRMX TIMOTWO W. EXTERNAL ANTENNA
Power Input	100-240 VAC 50-60 HZ	100-240 VAC 50-60 HZ
Power Connectors	TRUE-1TYPE IP67 IN AND THRU	TRUE-1TYPE IP67 IN AND THRU
Power Consumption	20 W MAX	20 W MAX
Cooling	PASSIVE	PASSIVE
Operating Temperature	-4 TO +104 °F [-20 TO +40 °C]	-4 TO +104 °F [-20 TO +40 °C]
IP Rating	IP67	IP67
LCD Screen	IK08 RATED ARMORED GLASS	IK08 RATED ARMORED GLASS
Unit Dimensions (WxHxD)	6.3 X 10.3 X 2.9 IN [159.8 X 263.3 X 73.2 MM]	
Weight	1.2 LBS [0.5 KG]	

Los Angeles
+1 818.899.8818

London
+44 (0)20.8574.9700

New York
+1 201.896.8600

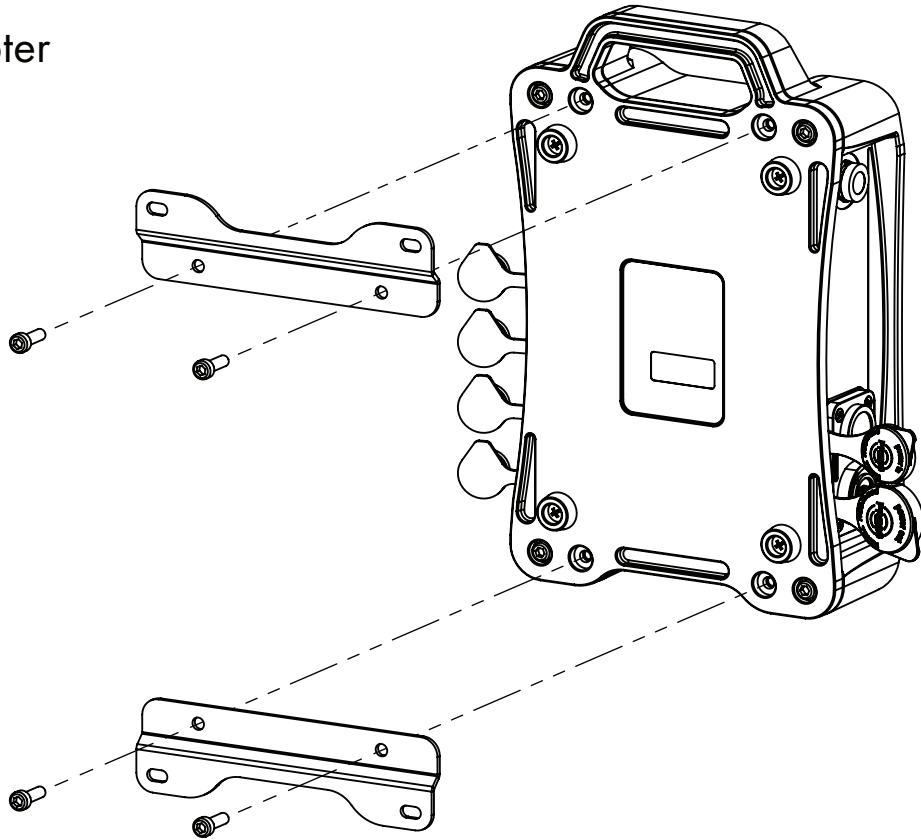
tmb
www.ProPlex.com

Toronto
+1 519.538.0888

Beijing
+86 10.8492.1587

Riga
+371 6389 8886

Wallmount Adapter



Clamp Mount

